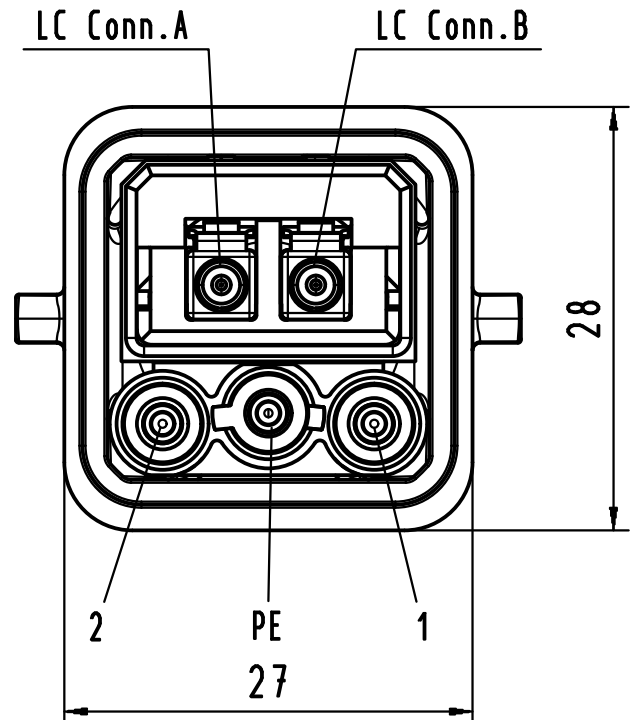


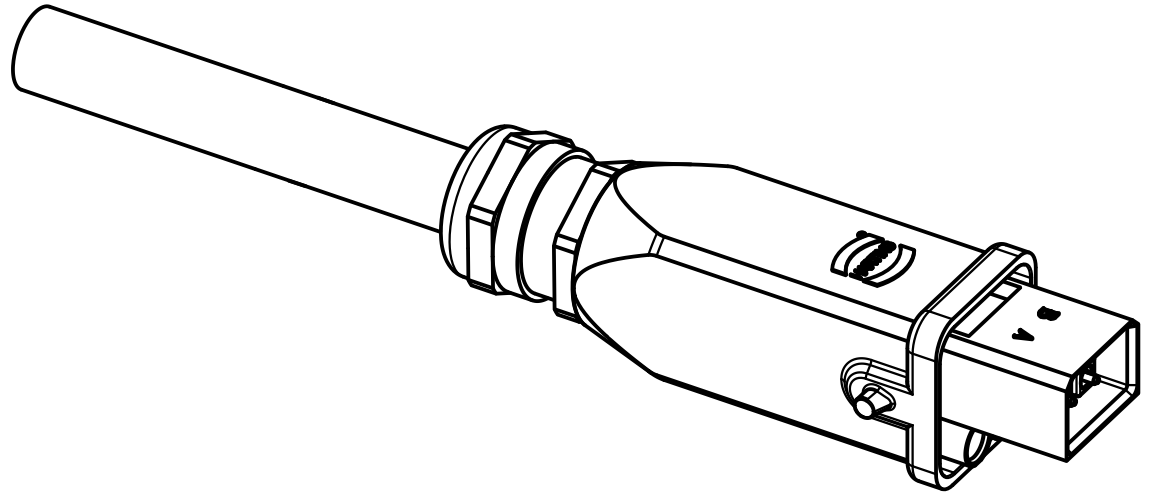
X 2:1
(without FO protection cap)



Loading-Plan

	Shield (not connected)
A	Orange 1
B	Orange 2
1	Black
2	Blue
PE	Green-Yellow

-Protection level: IP65/67
-Temperature range: -40°C ... +70°C



9	Hybrid cable 2xFO+3x2,5/3,5	33 57 111 300 5004	300 m
8	Hybrid cable 2xFO+3x2,5/3,5	33 57 111 100 5004	100 m
7	Hybrid cable 2xFO+3x2,5/3,5	33 57 111 060 5004	60 m
6	Hybrid cable 2xFO+3x2,5/3,5	33 57 111 050 5004	50 m
5	Hybrid cable 2xFO+3x2,5/3,5	33 57 111 040 5004	40 m
4	Hybrid cable 2xFO+3x2,5/3,5	33 57 111 020 5004	20 m
3	Hybrid cable 2xFO+3x2,5/3,5	33 57 111 010 5004	10 m
2	Hybrid cable 2xFO+3x2,5/3,5	33 57 111 005 5004	5 m
1	Hybrid cable 2xFO+3x2,5/3,5	33 57 111 001 5004	1 m

Cont No.	Type of cable	Part-No.	Dim. a
----------	---------------	----------	--------

All Dimensions in mm Drawing Size DIN A 3		Techn. Character.		Nicht tolerierte Maße/	
Detail. 07.12.09 MS		Name		Hybrid cable assembly, 2xFO + POWER 3x2,5 mm ² 1xHAN3A, LC duplex SM, 3xpower DC	
Insp. 07.12.09 RA		Maßstab/Scale			
Stand.					
DRS609A		HARTING Electronics GmbH & Co. KG D-32339 ESPELKAMP		TB 33 57 111 xxx 5004	
Mod.	Dat.	Name	Sub.		Blatt/ page

Alle Rechte vorbehalten/ All rights reserved